



SPDT FAILSAFE COAXIAL SWITCH DC-20GHZ

Electrical Characteristic:

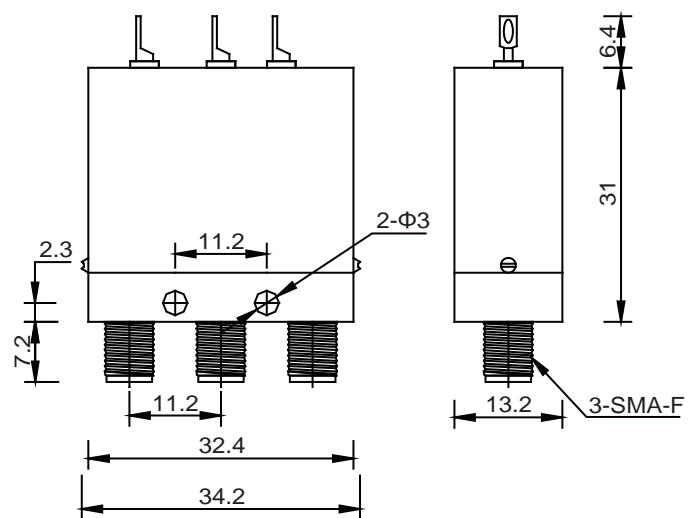
Frequency Range (GHz)	VSWR	Isolation (dB)	Insertion Loss (dB)	Power Handling (Watt)
DC-3	<1.2	>80	<0.2	100
3-6	<1.3	>70	<0.3	70
6-12.4	<1.4	>60	<0.4	50
12.4-18	<1.5	>60	<0.5	40
18-20	<1.6	>55	<0.6	30



Specification:

Operating Voltage.....5V,12V, 24V,28V
Switching Time..... 15ms max
Operating Current..... 480mA
Work Temperature.....-45°C ~+85°C
Life.....1,000,000 cycles
Control TTL..... TTL High for Loss,Low for Isolation
Impedance..... 50 Ω
Connector Type..... SMA-F
Case type(mm).....32.4*31*13.2
Weight.....150g

Case type(mm):



How To Order:

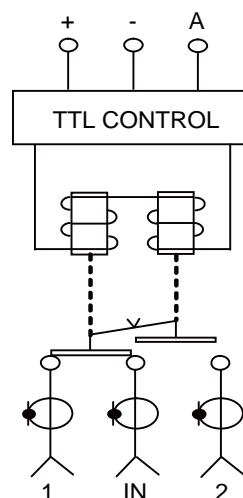
Specify Part Number SPDT - X - X - F - X - S

Freq Range:
 A=12GHz
 B=18GHz
 C=20GHz

DC Power:
 1=12VDC
 2=24VDC
 3=28VDC

Driver:
 M=without driver only voltage control not TTL
 Blank: with TTL control

Schematic:



Example: To order a DC-18GHz SPDT switch with 12VDC Power supply, failsafe, without driver only voltage control not TTL, so the specify :SPDT-B-1-F-M-S.



SP3T-SP6T NORMALLY OPEN COAXIAL SWITCH DC-18GHz

Electrical Characteristic:

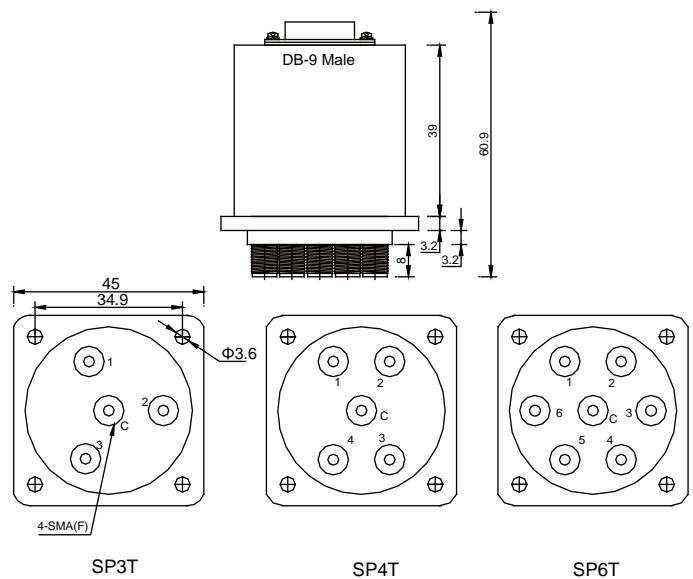
Frequency Range (GHz)	VSWR	Isolation (dB)	Insertion Loss (dB)	Power Handling (Watt)
DC-3	<1.2	>80	<0.2	100
3-6	<1.3	>70	<0.3	80
6-12	<1.4	>60	<0.4	50
12-18	<1.5	>60	<0.5	40



Specification:

Operating Voltage.....12V, 24V,28V
Switching Time..... 15ms max
Operating Current.....270mA
Work Temperature.....-45°C ~+85°C
Life.....1,000,000 cycles
Control TTL..... TTL High for Loss,Low for Isolation
Control Connector..... DB-9 PIN Male
Impedance..... 50 Ω
Connector Type.....SMA-F
Case type(mm)..... 45x45x60.9
Weight..... 150g

Case type(mm):



How To Order:

Specify Part Number SPXT - X - X - F - X - S

Throws: _____
 3-6

Freq Range: _____
 A=12GHz
 B=18GHz

DC Power: _____
 1=12VDC
 2=24VDC
 3=28VDC

Driver: _____
 M=without driver only voltage control not TTL
 Blank: with TTL control

Example: To order a DC-12GHz SP6T switch with 12VDC Power supply, normally open,without driver only voltage control not TTL,so the specify :SP6T-A-1-F-M-S.



SP7T-SP8T NORMALLY OPEN COAXIAL SWITCH DC-18GHz

Electrical Characteristic:

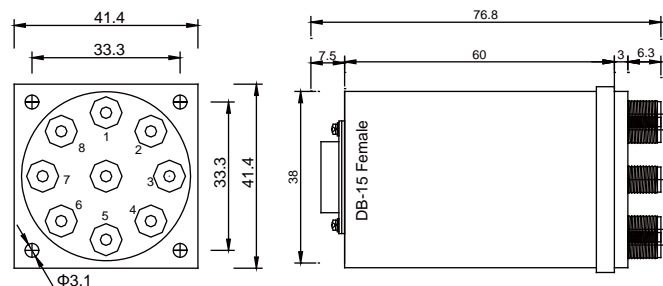
Frequency Range (GHz)	VSWR	Isolation (dB)	Insertion Loss (dB)	Power Handling (Watt)
DC-3	<1.2	>80	<0.2	80
3-6	<1.3	>70	<0.3	60
6-12	<1.5	>60	<0.4	30
12-18	<1.6	>50	<0.8	20



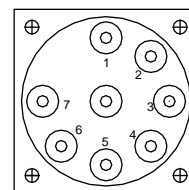
Specification:

Operating Voltage..... 12V, 24V
Switching Time..... 15ms max
Operating Current..... 270mA
Work Temperature..... -45°C ~ +85°C
Life..... 1,000,000 cycles
Control TTL..... TTL High for Loss, Low for Isolation
Control Connector..... DB-15 3 Lines PIN Female
Impedance..... 50 Ω
Connector Type..... SMA-F
Case type(mm)..... 41.4x41.4x76.8
Weight..... 150g

Case type(mm):



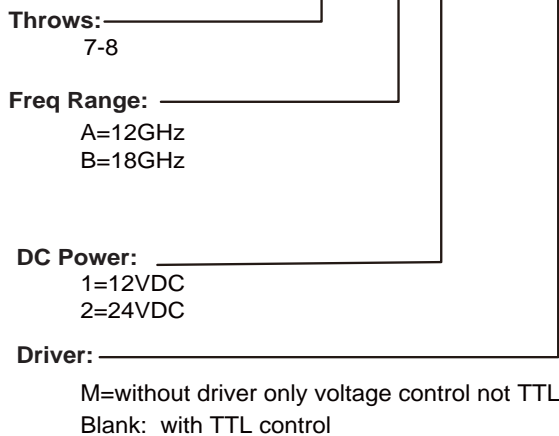
SP8T



SP7T

How To Order:

Specify Part Number **SPXT - X - X - F - X - S**



Example: To order a DC-12GHz SP8T switch with 12VDC Power supply, normally open, without driver only voltage control not TTL, so the specify :SP8T-A-1-F-M-S.



SP9T-SP10T NORMALLY OPEN COAXIAL SWITCH DC-18GHz

Electrical Characteristic:

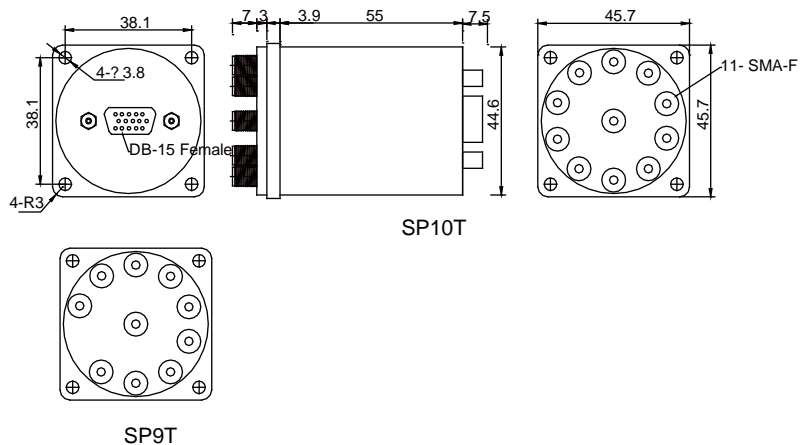
Frequency Range (GHz)	VSWR	Isolation (dB)	Insertion Loss (dB)	Power Handling (Watt)
DC-3	<1.2	>70	<0.2	80
3-6	<1.3	>65	<0.3	60
6-12	<1.5	>60	<0.5	40
12-16	<1.6	>55	<0.6	30
16-18	<1.8	>50	<0.8	20



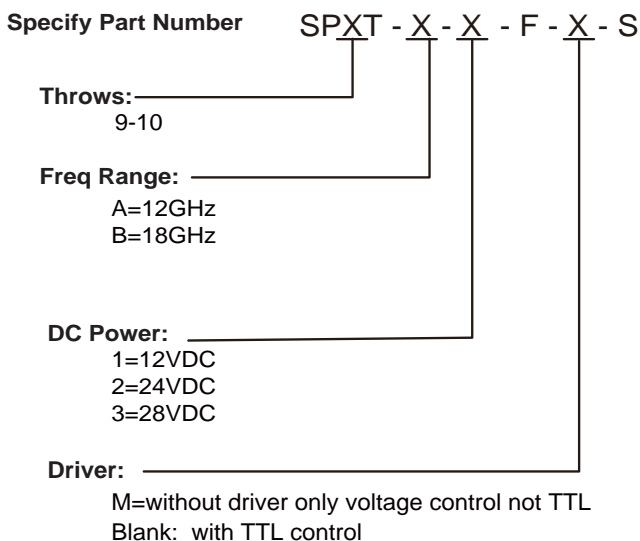
Specification:

Operating Voltage.....12V, 24V,28V
Switching Time..... 20ms max
Operating Current..... 300mA
Work Temperature.....-45°C ~+85°C
Life.....1,000,000 cycles
Control TTL..... TTL High for Loss,Low for Isolation
Control Connector.....DB-15 Female
Impedance..... 50 Ω
Connector Type..... SMA-F
Case type(mm)..... 45.7*45.7*55
Weight..... 150g

Case type(mm):



How To Order:



Example: To order a DC-12GHz SP9T switch with 12VDC Power supply,normally open,without driver only voltage control not TTL,so the specify :SP9T-A-1-F-M-S.



SP3T-SP6T NORMALLY OPEN COAXIAL SWITCH DC-6GHz N-TYPE HIGH POWER

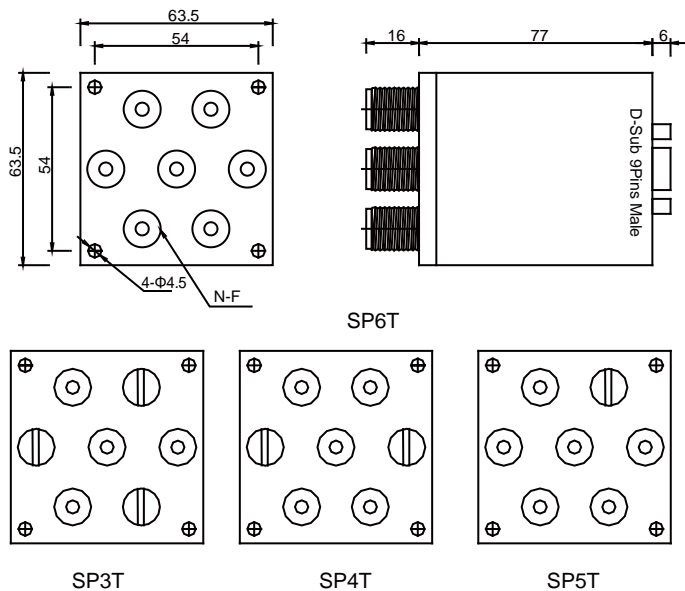
Electrical Characteristic:

Frequency Range (GHz)	VSWR	Isolation (dB)	Insertion Loss (dB)	Power Handling(Watt)	
				Normal	High Power
DC-3	<1.2	>80	<0.2	200	400
3-6	<1.3	>70	<0.3	150	250

Specification:

Operating Voltage.....12V,24V
Switching Time.....15ms max
Operating Current.....275mA
Work Temperature.....-45°C ~ +85°C
Life.....1000,000 cycles
Control TTL..... TTL High for Loss,Low for Isolation
Impedance..... 50 Ω
Connector Type.....N-F
Case type(mm)..... 77*63.5*63.5
Weight.....150g

Case type(mm):



How To Order:

Specify Part Number SPXT - X - X - F - X - N - 060 - X

Throws: _____
 3-6

Freq Range: _____
 A=3GHz
 B=6GHz

DC Power: _____
 1=12VDC
 2=24VDC

Driver: _____
 M=without driver only voltage control not TTL
 Blank: with TTL control

Power: _____
 H=High Power Handling
 Blank: Normal Power Handling

Example: To order a DC-3GHz SP3T switch with 12VDC Power supply, 400W, normally open,without driver only voltage control not TTL,so the specify :SP3T-A-1-F-M-N-060-H.



SP3T-SP6T NORMALLY OPEN COAXIAL SWITCH DC-12.4GHz N-TYPE HIGH POWER

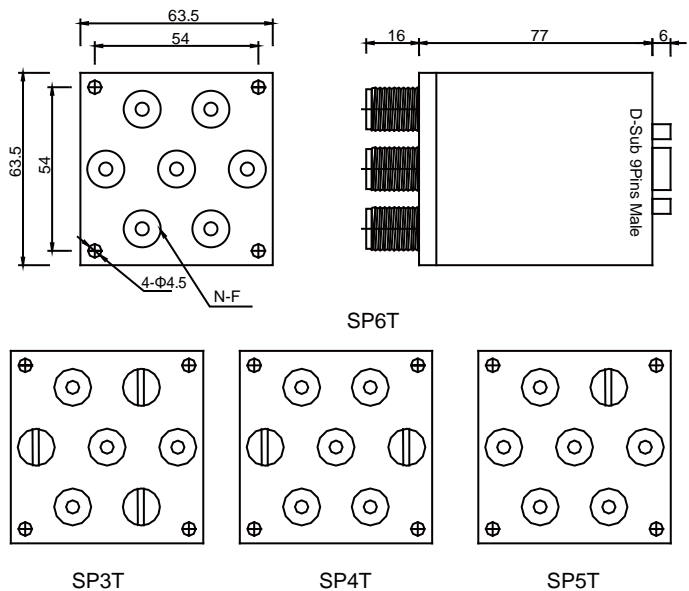
Electrical Characteristic:

Frequency Range (GHz)	VSWR	Isolation (dB)	Insertion Loss (dB)	Power Handling (Watt)
DC-3	<1.2	>80	<0.2	200
3-6	<1.3	>70	<0.3	150
6-12.4	<1.6	>60	<0.8	100

Specification:

Operating Voltage.....12V,24V
Switching Time.....15ms max
Operating Current.....275mA
Work Temperature.....-45°C ~ +85°C
Life.....1000,000 cycles
Control TTL..... TTL High for Loss,Low for Isolation
Impedance..... 50 Ω
Connector Type.....N-F
Case type(mm)..... 77*63.5*63.5
Weight.....150g

Case type(mm):



How To Order:

Specify Part Number SPXT - X - X - F - X - N-124

Throws: _____
 3-6
Freq Range: _____
 A=3GHz
 B=6GHz
 C=12.4GHz
DC Power: _____
 1=12VDC
 2=24VDC
Driver: _____
 M=without driver only voltage control not TTL
 Blank: with TTL control

Example: To order a DC-3GHz SP3T switch with 12VDC Power supply, normally open,without driver only voltage control not TTL,so the specify :SP3T-A-1-F-M-N-124.

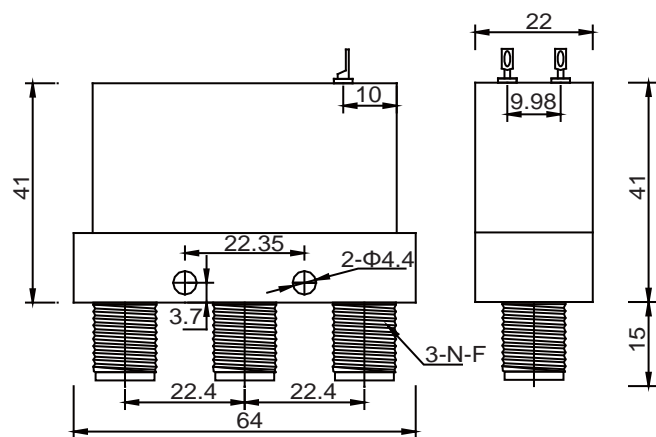
Electrical Characteristic:

Frequency Range (GHz)	VSWR	Isolation (dB)	Insertion Loss (dB)	Power Handling (Watt)
DC-3	<1.2	>80	<0.2	200
3-6	<1.35	>70	<0.4	150
6-12.4	<1.6	>60	<0.7	50

Specification:

Operating Voltage.....12V,24V,28V
Switching Time.....15ms max
Operating Current.....280mA
Work Temperature.....-45°C ~ +85°C
Life.....1000,000 cycles
Control TTL..... TTL High for Loss,Low for Isolation
Impedance..... 50 Ω
Connector Type.....N-F
Case type(mm)..... 64*41*22
Weight.....150g

Case type(mm):



How To Order:

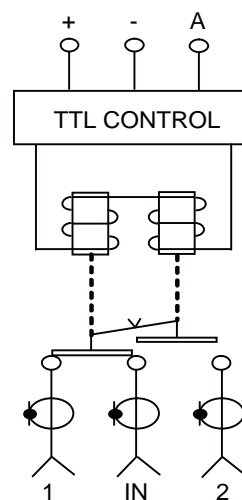
Specify Part Number **SPDT - X - X - F - X - N**

Freq Range: _____
 A=3GHz
 B=6GHz
 C=12.4GHz

DC Power: _____
 1=12VDC
 2=24VDC
 3=28VDC

Driver: _____
 M=without driver only voltage control not TTL
 Blank: with TTL control

Schematic:



Example: To order a DC-3GHz SPDT switch with 12VDC Power supply,failsafe,without driver only voltage control not TTL,so the specify :SPDT-A-1-F-M-N.

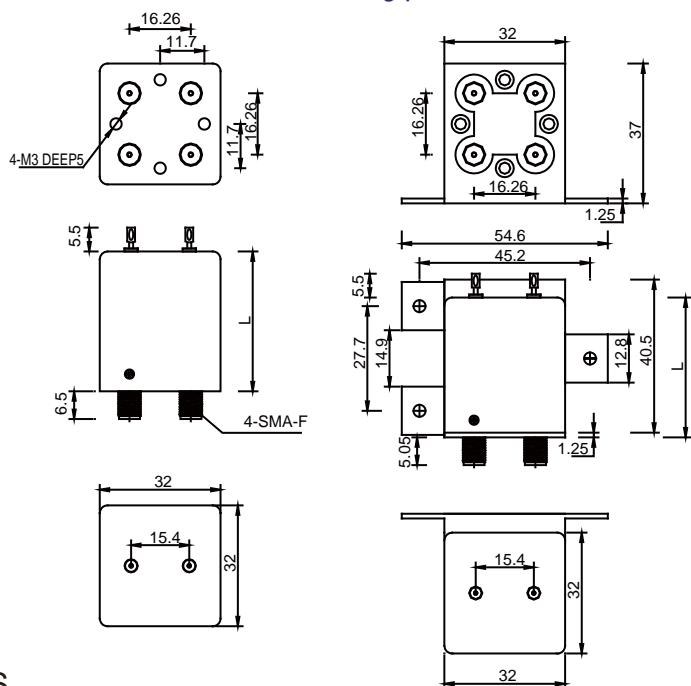
Electrical Characteristic:

Frequency Range (GHz)	VSWR	Isolation (dB)	Insertion Loss (dB)	Power Handling (Watt)
DC-3	<1.2	>80	<0.2	100
3-6	<1.3	>70	<0.3	70
6-12.4	<1.4	>60	<0.4	50
12.4-18	<1.5	>60	<0.5	40

Specification:

Operating Voltage.....12V,24V,28V
Switching Time.....20ms max
Operating Current.....360mA
Work Temperature.....-45°C ~ +85°C
Life.....1000,000 cycles
Control TTL..... TTL High for Loss, Low for Isolation
Impedance..... 50 Ω
Connector Type.....SMA-F
Case type(mm)..... LX32X32
Weight.....150g

Case type(mm):



Not1:L=37mm (failsafe)
 Note2:L=46mm (latching)

How To Order:

Specify Part Number DPDT - X - X - F - X - S

Freq Range:

- A=3GHz
- B=6GHz
- C=12.4GHz
- D=18GHz

DC Power:

- 1=12VDC
- 2=24VDC
- 3=28VDC

Driver:

- M=without driver only voltage control not TTL
- Blank: with TTL control.

Example: To order a DC-3GHz DPDT switch with 12VDC Power supply, failsafe , without driver only voltage control not TTL, so the specify :DPDT-A-1-F-M-S.

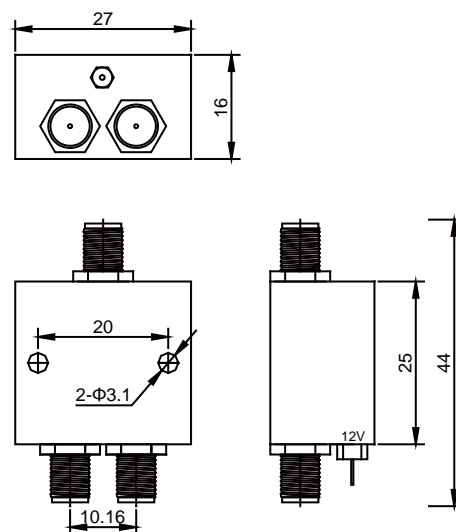
Electrical Characteristic:

Frequency Range (GHz)	VSWR	Isolation (dB)	Insertion Loss (dB)	Power Handling (Watt)
DC-1	<1.2	>60	<0.2	50W@2GHz
1-2	<1.5	>45	<0.4	
3	<1.7	>35	<0.6	

Specification:

Operating Voltage.....12V(9-24V)
Switching Time.....5ms max
Operating Current.....20mA
Work Temperature.....-45°C ~ +85°C
Life.....500,000 cycles
Control TTL..... TTL High for Loss, Low for Isolation
Impedance..... 50 Ω
Connector Type..... SMA-F
Case type(mm)..... 27*27*16
Weight.....150g

Case type(mm):



How To Order:

Specify Part Number MSPDT - X - X - F - X - S

Freq Range:

A=1GHz
B=2GHz
C=3GHz

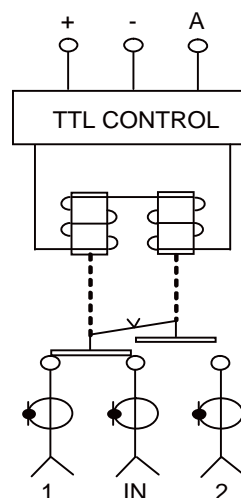
DC Power:

1=12VDC

Driver:

M=without driver only voltage control not TTL
Blank: with TTL control

Schematic:



Example: To order a DC-1GHz MSPDT switch with 12VDC Power supply, failsafe, without driver only voltage control not TTL, so the specify :SPDT-A-1-F-M-S.

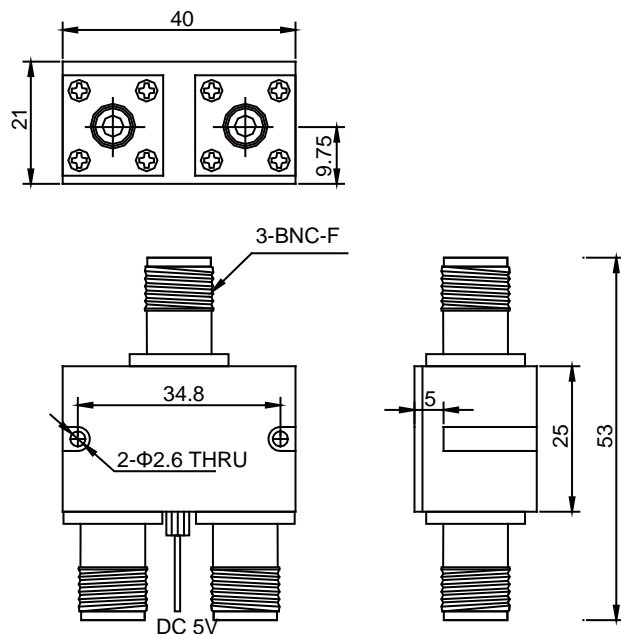
Electrical Characteristic:

Frequency Range (GHz)	VSWR	Isolation (dB)	Insertion Loss (dB)	Power Handling (Watt)
DC-1	<1.2	>60	<0.2	1W
1-2	<1.5	>45	<0.5	
2-3	<1.7	>35	<0.8	

Specification:

Operating Voltage.....5V
Switching Time.....5ms max
Operating Current.....50mA
Work Temperature.....-45°C ~ +85°C
Life.....300,000 cycles
Control TTL..... TTL High for Loss, Low for Isolation
Impedance..... 75 Ω
Connector Type.....F-F or BAC-F
Case type(mm)..... 40*25*21
Weight.....150g

Case type(mm):



How To Order:

Specify Part Number **MSPDT - X - X - F - X - 75**

Freq Range:

A=1GHz
 B=2GHz
 C=3GHz

DC Power:

1=5VDC

Driver:

M=without driver only voltage control not TTL
 Blank: with TTL control

Example: To order a DC-1GHz MSPDT switch with 5VDC Power supply, failsafe, without driver only voltage control not TTL, so the specify :MSPDT-A-1-F-M-75.



MSP3T-MSP4T FAILSAFE COAXIAL SWITCH DC-3GHz

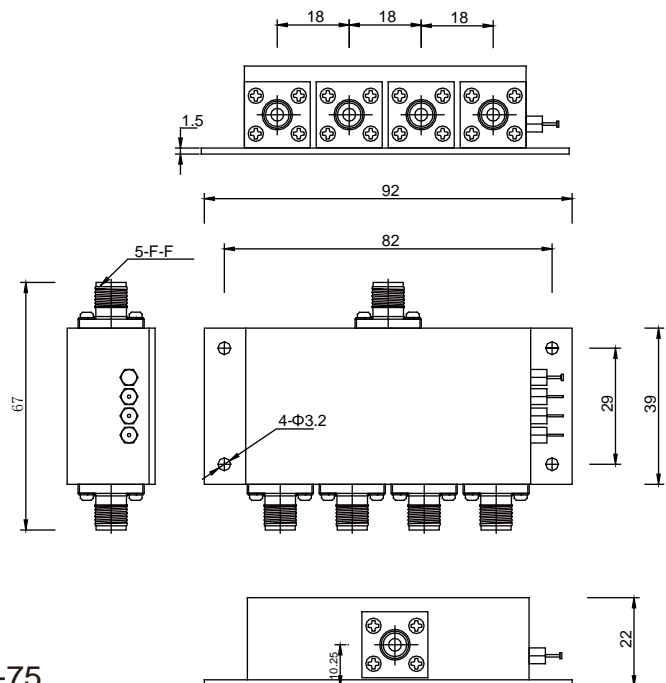
Electrical Characteristic:

Frequency Range (GHz)	VSWR	Isolation (dB)	Insertion Loss (dB)	Power Handling (Watt)
DC-1	<1.2	>60	<0.4	1W
1-2	<1.6	>45	<0.8	
2-3	<2.0	>35	<1.2	

Specification:

Operating Voltage.....5V
Switching Time.....5ms max
Operating Current.....150mA
Work Temperature.....-45°C ~ +85°C
Life.....300,000 cycles
Control TTL..... TTL High for Loss, Low for Isolation
Impedance..... 75 Ω
Connector Type.....F-F or BAC-F
Case type(mm)..... 40*25*21
Weight.....150g

Case type(mm):



How To Order:

Specify Part Number **MSPXT - X - X - F - X -75**

Throws: _____
3-4

Freq Range: _____
A=1GHz
B=2GHz
C=3GHz

DC Power: _____
1=5VDC

Driver: _____
M=without driver only voltage control not TTL
Blank: with TTL control

Example: To order a DC-1GHz MSP3T switch with 5VDC Power supply, failsafe, without driver only voltage control not TTL, so the specify :MSP3T-A-1-F-M-75.



DPDT LATCHING COAXIAL SWITCH DC-12.4GHz N-TYPE

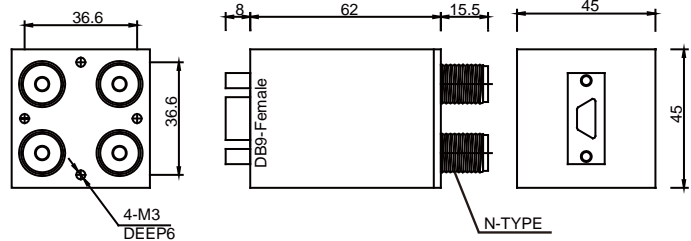
Electrical Characteristic:

Frequency Range (GHz)	VSWR	Isolation (dB)	Insertion Loss (dB)	Power Handling (Watt)
DC-3	<1.2	>80	<0.2	200
3-6	<1.35	>70	<0.3	150
6-12.4	<1.6	>60	<0.7	50

Specification:

Operating Voltage.....24V
Switching Time.....15ms max
Operating Current.....400mA
Work Temperature.....-45°C ~ +85°C
Life.....1000,000 cycles
Control TTL..... TTL High for Loss,Low for Isolation
Impedance..... 50 Ω
Connector Type.....N-F
Case type(mm).....62*45*45
Weight.....150g

Case type(mm):



How To Order:

Specify Part Number DPDT - X - X - L - X - N - 124

Freq Range: _____

- A=3GHz
- B=6GHz
- C=12.4GHz

DC Power: _____

- 1=24VDC

Driver: _____

- M=without driver only voltage control not TTL
- Blank: with TTL control

Example: To order a DC-6GHz DPDT switch with 24VDC Power supply,latching,without driver only voltage control not TTL, so the specify :DPDT-B-1-L-M-N-124.

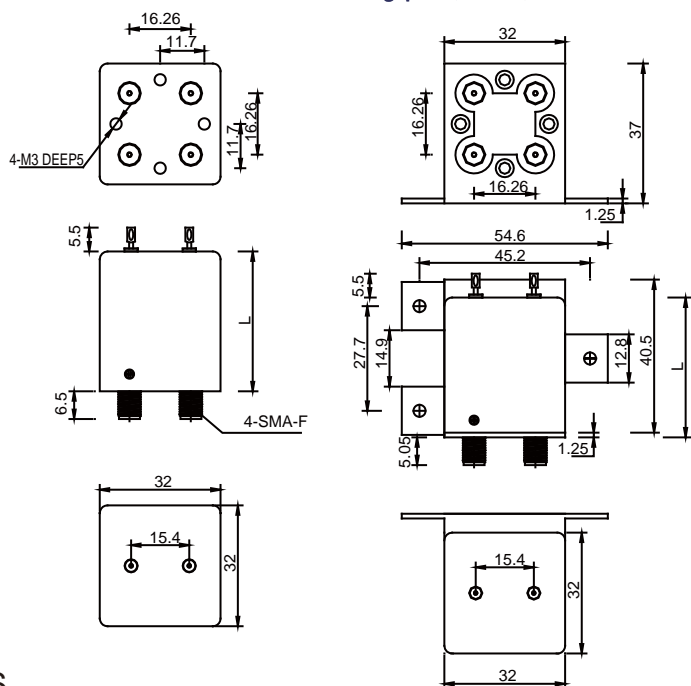
Electrical Characteristic:

Frequency Range (GHz)	VSWR	Isolation (dB)	Insertion Loss (dB)	Power Handling (Watt)
DC-3	<1.2	>80	<0.2	100
3-6	<1.3	>70	<0.3	70
6-12.4	<1.4	>60	<0.4	50
12.4-18	<1.5	>60	<0.5	40

Specification:

Operating Voltage.....12V,24V,28V
Switching Time.....20ms max
Operating Current.....360mA
Work Temperature.....-45°C ~ +85°C
Life.....1000,000 cycles
Control TTL..... TTL High for Loss,Low for Isolation
Impedance..... 50 Ω
Connector Type.....SMA-F
Case type(mm)..... LX32X32
Weight.....150g

Case type(mm):



Not1:L=37mm (without TTL control)
 Note2:L=46mm(with TTL control)

How To Order:

Specify Part Number DPDT - X - X - L - X - S

Freq Range:

- A=3GHz
- B=6GHz
- C=12.4GHz
- D=18GHz

DC Power:

- 1=12VDC
- 2=24VDC
- 3=28VDC

Driver:

- M=without driver only voltage control not TTL
- Blank: with TTL control

Example: To order a DC-18GHz DPDT switch with 12VDC Power supply,latching, without driver only voltage control not TTL, so the specify :DPDT-D-1-L-M-S



DPDT LATCHING COAXIAL SWITCH DC-6GHz N-TYPE HIGH POWER

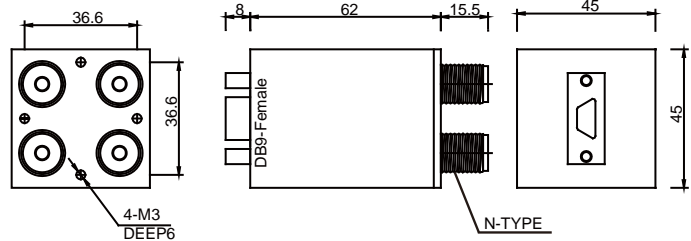
Electrical Characteristic:

Frequency Range (GHz)	VSWR	Isolation (dB)	Insertion Loss (dB)	Power Handling (Watt)
DC-3	<1.2	>80	<0.2	400
3-6	<1.35	>70	<0.4	250

Specification:

Operating Voltage.....24V
Switching Time.....15ms max
Operating Current.....400mA
Work Temperature.....-45°C ~ +85°C
Life.....1000,000 cycles
Control TTL..... TTL High for Loss, Low for Isolation
Impedance..... 50 Ω
Connector Type.....N-F
Case type(mm).....62*45*45
Weight.....150g

Case type(mm):



How To Order:

Specify Part Number DPDT - X - X - L - X - N - 060

Freq Range:

A=3GHz
B=6GHz

DC Power:

1=24VDC

Driver:

M=without driver only voltage control not TTL
Blank: with TTL control

Example: To order a DC-6GHz DPDT switch with 24VDC Power supply, without driver only voltage control not TTL, so the specify :DPDT-B-1-L-M-N-060.

Electrical Characteristic:

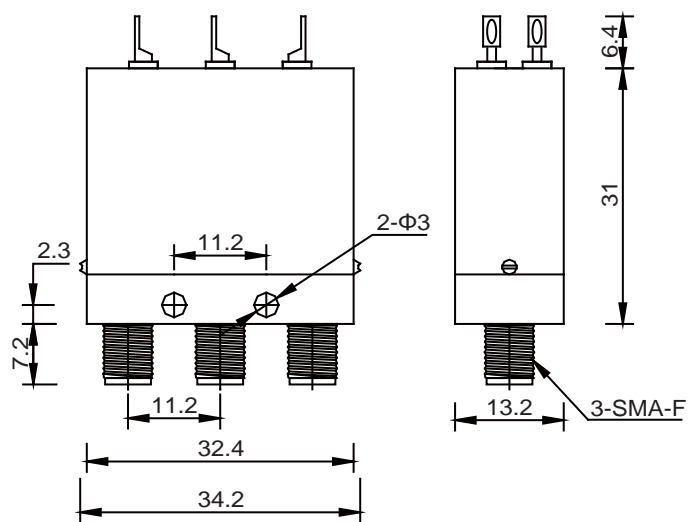
Frequency Range (GHz)	VSWR	Isolation (dB)	Insertion Loss (dB)	Power Handling (Watt)
DC-3	<1.2	>80	<0.2	100
3-6	<1.3	>70	<0.3	70
6-12.4	<1.4	>60	<0.4	50
12.4-18	<1.5	>60	<0.5	40
18-22	<1.6	>55	<0.6	30



Specification:

Operating Voltage.....5V,12V, 24V,28V
Switching Time..... 15ms max
Operating Current..... 480mA
Work Temperature.....-45°C ~+85°C
Life.....1,000,000 cycles
Control TTL..... TTL High for Loss,Low for Isolation
Impedance..... 50 Ω
Connector Type..... SMA-F
Case type(mm).....32.4*31*13.2
Weight.....150g

Case type(mm):



How To Order:

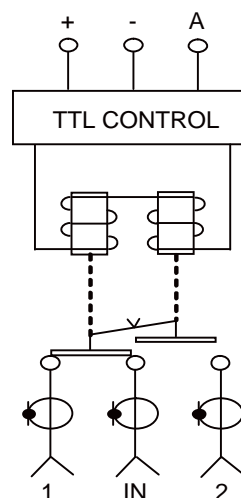
Specify Part Number SPDT - X - X - L - X - S

Freq Range:
 A=12GHz
 B=18GHz
 C=22GHz

DC Power:
 1=5VDC
 2=12VDC
 3=24VDC
 4=28VDC

Driver:
 M=without driver only voltage control not TTL
 Blank: with TTL control

Schematic:



Example: To order a DC-18GHz SPDT switch with 12VDC Power supply, latching,without driver only voltage control not TTL,so the specify :SPDT-B-2-L-M-S.



SPDT LATCHING COAXIAL SWITCH DC-3GHz N-TYPE HIGH POWER

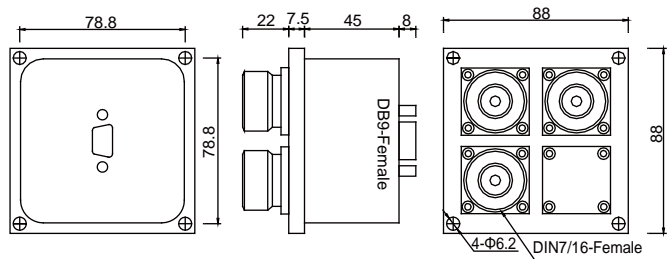
Electrical Characteristic:

Frequency Range (GHz)	VSWR	Isolation (dB)	Insertion Loss (dB)	Power Handling (Watt)
DC-0.86	<1.06	>70	<0.0.6	2000
1-2	<1.2	>60	<0.1	750
2-3	<1.3	>60	<0.2	500

Specification:

Operating Voltage.....12V, 24V
Switching Time..... 50ms max
Operating Current.....800mA
Work Temperature.....-45°C ~+85°C
Life.....1,000,000 cycles
Control TTL..... TTL High for Loss,Low for Isolation
Impedance..... 50 Ω
Connector Type.....N-F
Case type(mm)..... 88*88*52.5
Weight.....150g

Case type(mm):



How To Order:

Specify Part Number **SPDT - X - X - L - X - N - 030**

Freq Range:

- A=1GHz
- B=2GHz
- C=3GHz

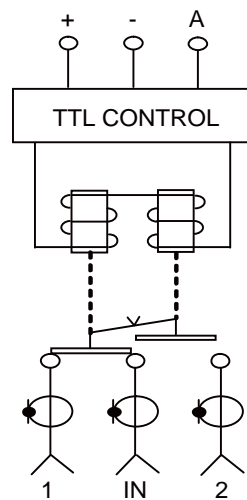
DC Power:

- 1=12VDC
- 2=24VDC

Driver:

- M=without driver only voltage control not TTL
- Blank: with TTL control

Schematic:



Example: To order a DC-3GHz SPDT switch with 12VDC Power supply, latching,without driver only voltage control not TTL,so the specify :SPDT-C-1-L-M-N-030.

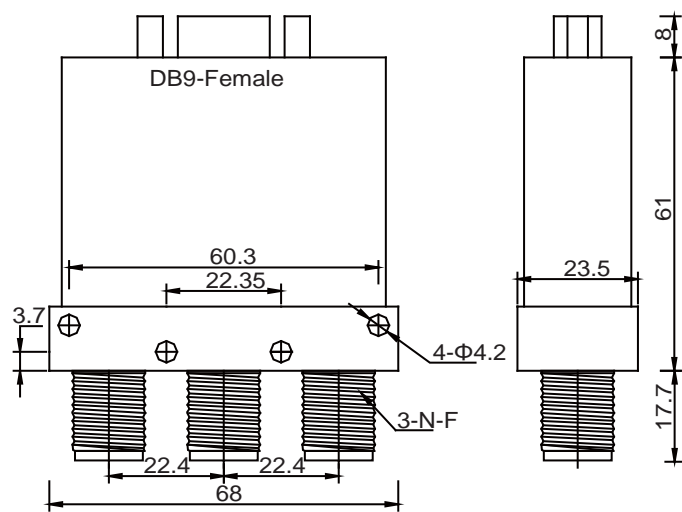
Electrical Characteristic:

Frequency Range (GHz)	VSWR	Isolation (dB)	Insertion Loss (dB)	Power Handling (Watt)
DC-3	<1.2	>80	<0.2	400
3-6	<1.35	>70	<0.4	250

Specification:

Operating Voltage.....12V, 24V,28V
Switching Time..... 20ms max
Operating Current..... 300mA
Work Temperature.....-45°C ~+85°C
Life.....1,000,000 cycles
Control TTL..... TTL High for Loss,Low for Isolation
Impedance..... 50 Ω
Connector Type.....N-F
Case type(mm)..... 68*61*23.5
Weight.....150g

Case type(mm):



How To Order:

Specify Part Number SPDT - X - X - L - X - N - 060

Freq Range:

A=3GHz
B=6GHz

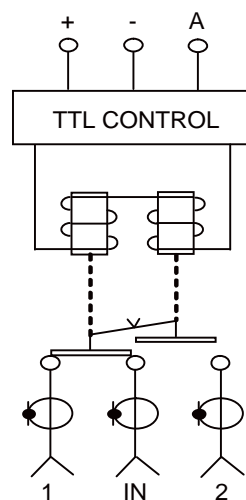
DC Power:

1=12VDC
2=24VDC
3=28VDC

Driver:

M=without driver only voltage control not TTL
Blank: with TTL control

Schematic:



Example: To order a DC-3GHz SPDT switch with 12VDC Power supply, latching,without driver only voltage control not TTL,so the specify :SPDT-A-1-L-M-N-060.



SPDT LATCHING COAXIAL SWITCH DC-12.4GHz N-TYPE HIGH POWER

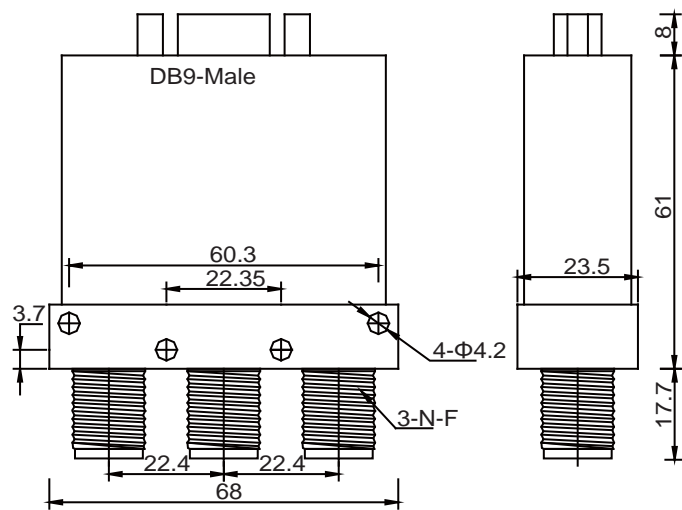
Electrical Characteristic:

Frequency Range (GHz)	VSWR	Isolation (dB)	Insertion Loss (dB)	Power Handling(Watt)	
				Normal	High Power
DC-0.5	<1.05	>90	<0.08	400	1600
0.5-1	<1.1	>85	<0.1	300	1100
1-2	<1.15	>80	<0.15	240	750
2-3	<1.2	>80	<0.2	200	650
3-6	<1.35	>70	<0.4	150	450
6-12.4	<1.6	>60	<0.8	100	--

Specification:

Operating Voltage.....12V, 24V
Switching Time..... 20ms max
Operating Current..... 300mA
Work Temperature.....-45°C ~+85°C
Life.....1,000,000 cycles
Control TTL..... TTL High for Loss,Low for Isolation
Impedance..... 50 Ω
Connector Type.....N-F
Case type(mm)..... 68*61*23.5
Weight.....150g

Case type(mm):



How To Order:

Specify Part Number SPDT - X - X - L - X - N - 124 - X

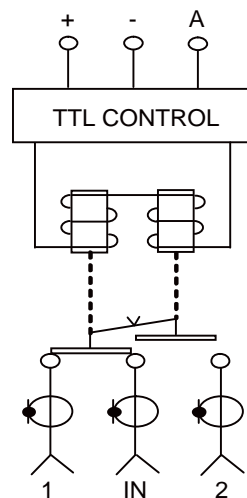
Freq Range: _____
 A=3GHz
 B=6GHz
 C=12.4GHz

DC Power: _____
 1=12VDC
 2=24VDC

Driver: _____
 M=without driver only voltage control not TTL
 Blank: with TTL control

Power: _____
 H=High Power Handling
 Blank: Normal Power Handling

Schematic:



Example: To order a DC-3GHz SPDT switch with 12VDC Power supply,650Watt, latching,without driver only voltage control not TTL,so the specify :SPDT-A-1-L-M-N-124-H.